

FAIRBANKS INTERNATIONAL AIRPORT, ALASKA, USA



OVERGAARD LTD
Complete Facade Systems

Fairbanks International Airport, Alaska, USA

Design Architect: Bettisworth North.
Contractor: Davis Constructors, Inc.
Subcontractor: Bucher Glass Ltd.
Facade Designer & Manufacturer: Overgaard Ltd.



DESCRIPTION

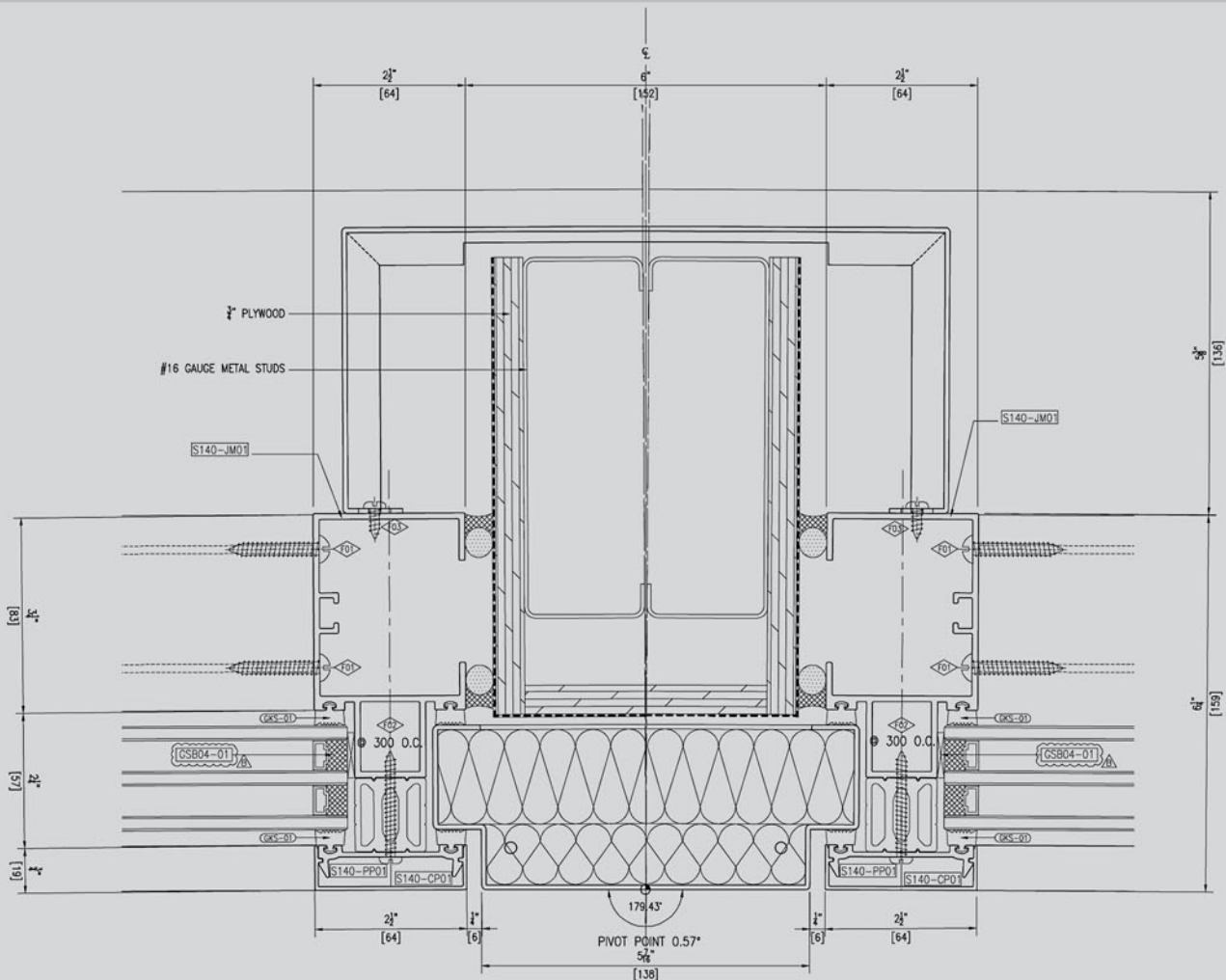
Located in an area with tectonic shifts, seismic building regulations dictated a custom glass curtain wall designed to safely absorb potential seismic movements while successfully interacting with an existing building structure.

Maintaining consistent interior temperatures during the building operation was a key design factor due to the extreme annual thermal variances of -65F to +100F. This was achieved through intelligent design and material selection, which included triple glazed insulated glass units with frit and high performance thermal breaks.

The façade system was supplied in a unitized manner to reduce installation period and mitigate disturbance to the operational airport under construction.

KEY ATTRIBUTES

- 2,700 m² of custom unitised curtain wall.
- Double low e triple pane glazing for extreme Alaskan winters.
- Custom fabricated stainless steel handrail and glass.
- Custom coloured Vanceva laminated vestibule entrance glazing.
- Date of Completion: 4th quarter 2008.



2 HORIZONTAL SECTION @ INFILL PANEL WITH PIVOT POINT
D-11 ARCH'L REF. DWG.: SCALE: 1"=1"

